

Sub-vertical Mechanical Fine Bar Screens GVF



SAVI



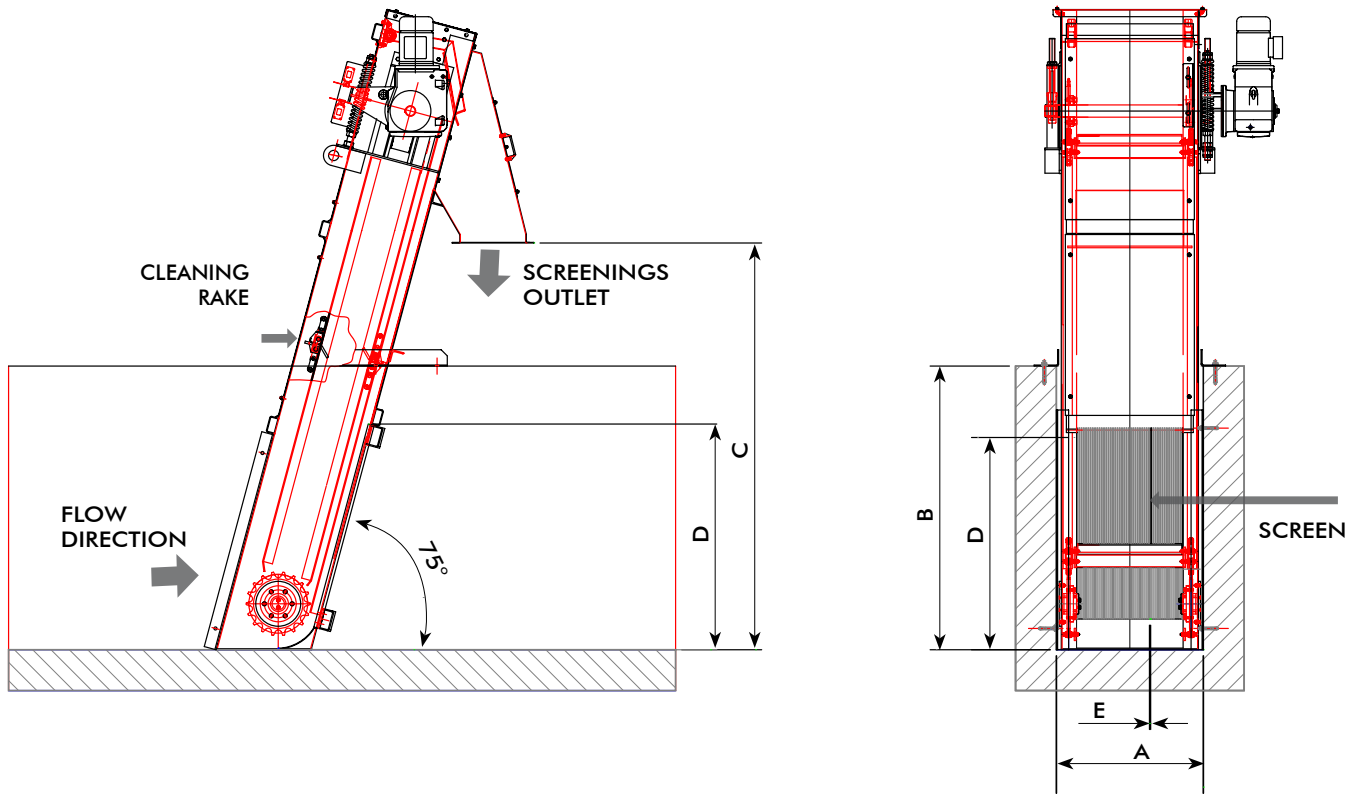
SAVECO[™]
Member of WAMGROUP®

HIGH PROTECTION THROUGH FINE BAR SPACING

GVF Sub-vertical Mechanical Bar Screens are used for medium-fine screening in both municipal and industrial waste water treatment plants.

GVF Mechanical Sub-vertical Fine Screens consist of a robust steel frame and a bar filter varying according to the screening efficiency required.

Overall Dimensions



MODEL (*)	CHANNEL WIDTH A mm	CHANNEL HEIGHT B m	DISCHARGE HEIGHT FROM CHANNEL BOTTOM C mm	STANDARD SCREENING ZONE HEIGHT D mm (**)	OPENING SIZES mm (*)	INSTALLED POWER kW
GVF 400	400	1 ÷ 6	up to 7 m ***	1,000	6 - 8 - 10	0.55
GVF 500	500	1 ÷ 6	up to 7 m ***	1,000	6 - 8 - 10	0.55
GVF 600	600	1 ÷ 6	up to 7 m ***	1,000	6 - 8 - 10	0.55
GVF 700	700	1 ÷ 6	up to 7 m ***	1,000	6 - 8 - 10	0.55
GVF 800	800	1 ÷ 6	up to 7 m ***	1,000	6 - 8 - 10	0.55
GVF 1000	1,000	1 ÷ 6	up to 7 m ***	1,000	6 - 8 - 10	0.75
GVF 1200	1,200	1 ÷ 6	up to 7 m ***	1,000	6 - 8 - 10	0.75
GVF 1400	1,400	1 ÷ 6	up to 7 m ***	1,000	6 - 8 - 10	0.75

(*) These are standard models; intermediate values are available. Units wider than 1,400 mm up to 2,000 available upon request

(**) Standard height of the screening zone: 1 m, different heights available

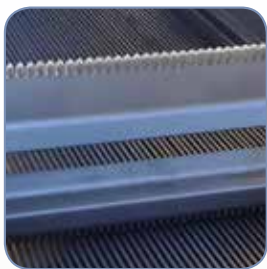
(***) Higher units available upon request

Benefits

- ✓ Rake tines precision laser-cut from continuous stainless steel bar
- ✓ Upper and lower sprocket to maintain strict alignment required by fine bar spacing
- ✓ Self-lubricating lower bronze bush enclosed in sealed casing
- ✓ Reduced service requirements (no need to remove screen from the channel)

Technical Features

- 6 ~ 10mm spacing
- 4 or more cleaning rakes depending on screen height
- Channel width: 400 ~ 2,000 mm
- 75-degree incline angle (up to 90° with optional goose-neck)



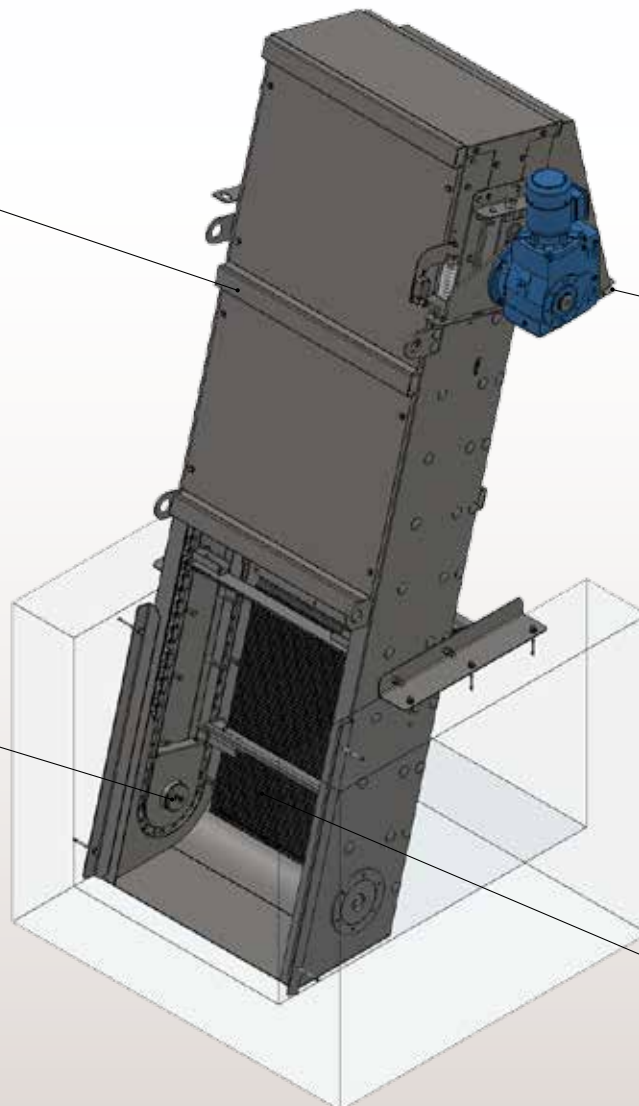
Rake



Goose Neck Discharge
(OPTION)



Lower Bottom Sprocket



Bar Field

Accessories

- Device to stop the rake out of the water

Application



203001291 April 2018 Rights reserved to modify technical specifications.

This brochure has been edited for distribution in European Union countries.



SAVECOTM
Member of WAMGROUP[®]



www.saveco-water.com