

# Sugar Processing

## Screw Conveyors CX

2



### Description ▼

CX trough-type Screw Conveyors and Feeders are suitable for all those applications where perfect cleanliness, contamination-free operation, weather and corrosion-resistance play an essential role. They are widely used in sugar processing plants.

### Function ▼

CX stainless steel (aisi 304) screws are usually installed to distribute sugar to sieves, diameter range up to 600 mm (from 700 mm to 1,000 mm contact WAMGROUP®). These units can be equipped with different typology of spiral, including also ribbon flight.

### Technical Features / Performance ▼

- ▶ 304 L / 316 L stainless steel
- ▶ Modular trough and screw sections
- ▶ Square or cylindrical WAM® standard inlet and outlet spouts welded on the trough orthogonally as to the conveyor axis
- ▶ Bolted modular trough cover complete with strip gasket
- ▶ End bearing assemblies with shaft, roller bearings and externally adjustable packing glands
- ▶ Intermediate hanger bearings complete with shaft and self-lubricating long-life slide bushes

### Benefits ▼

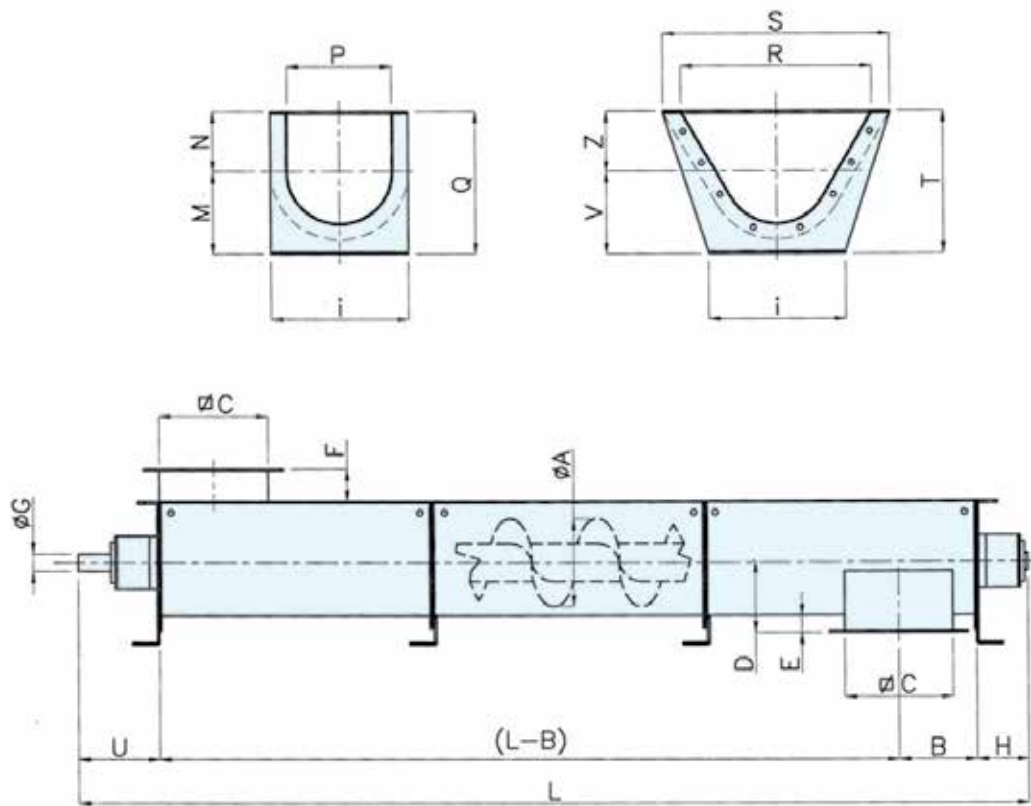
- ✓ **No material residue thanks to perfectly smooth trough surface;**
- ✓ **Trough end flanges welded on high precision jigs;**
- ✓ **Trough-bolted end plates complete with laser-cut drillings to accommodate end bearing assemblies;**
- ✓ **Screws made up of modular helicoids flighting with constant or variable pitch continuously welded on both sides on high quality centre pipe;**
- ✓ **Screw sections connected through bolted or splined shaft couplings;**
- ✓ **Screws electronically balanced.**

# Sugar Processing

## Screw Conveyors CX



### Overall Dimensions ▼



ØA	100	120	150	200	250	300	350	400	500	600	700	800	1000
B	170	170	170	195	220	260	290	340	390	440	Please contact WAMGROUP®		
C	175	175	175	225	275	325	375	425	525	625			
D	130	130	130	165	195	225	225	285	340	395			
E	40	40	40	50	55	60	65	70	75	80			
F	60	60	60	60	60	60	60	80	80	80			
ØG	25	25	35	35	35	35-45	35-45	45	55-65	55-65-80			
H	115	115	125	125	125	125-145	145	145-155	155-165	155-165-180			
I	265	265	265	315	365	435	485	540	655	755			
L	Rounded up to 0.5 m												
M			145	185	215	245	275	305	380	465			
N			115	135	160	195	235	270	340	420			
P			175	225	275	325	375	425	525	625			
Q			260	320	375	440	510	575	720	885			
R	175	175	375	425	525	525	625	730	830	1040			
S	265	265	485	540	655	655	755	900	1000	1250			
T	260	260	320	385	440	495	545	595	720	885			
U	160	160	185	185	185	185-230	230	230-240	240-270	240-270-310			
V	145	145	145	185	215	245	275	305	380	465			
Z	115	115	175	200	225	250	270	290	340	420			

Dimensions in mm

This datasheet might not show the complete range but only the models specialised for the application.