

Sub-vertical Mechanical Bar Screens GVL



SAVI



SAVECO[™]
Member of WAMGROUP®

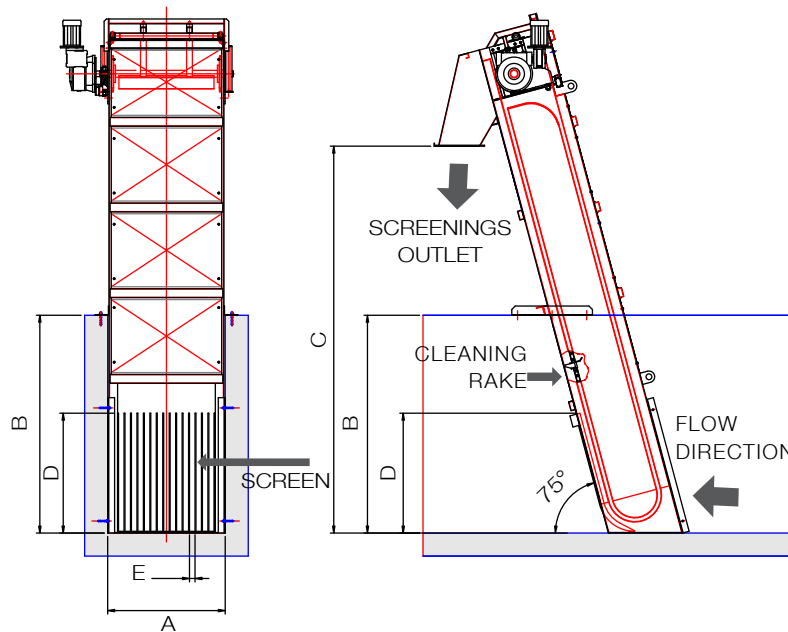
RELIABLE LOW-COST DESIGN

GVL Mechanical Screens consist of a steel frame and a bar filter, which varies according to the screening efficiency required. The GVL features a highly resistant galvanized steel chain transmission shaft and upper sprocket and a filtration zone with individually replaceable bar section. GVL screens are used for coarse screening in both municipal and industrial waste water plants.

Waste water flows into the upstream end of the unit where screenings are captured on the bars. Chain-driven rakes clean the bars, conveying at the same time the solids to the discharge point. There material is removed from the rakes by a wiper and discharged into a dumpster, conveyor or compactor.

The GVL model was developed with the aim of obtaining a highly industrialised product with new standards that combine renowned reliability (due to thousands of installations of bar screens during the last 25 years) with low purchase, management and maintenance costs.

Overall Dimensions



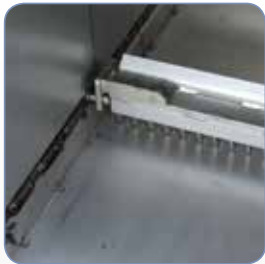
MODEL (*)	CHANNEL WIDTH A mm	CHANNEL HEIGHT B m	DISCHARGE HEIGHT FROM CHANNEL BOTTOM C mm	STANDARD SCREENING ZONE HEIGHT D mm	OPENING SIZES mm	INSTALLED POWER kW
GVL 400	400	1 ÷ 6	up to 7 m	1,000	from 10 to 40 mm	0.55
GVL 500	500	1 ÷ 6	up to 7 m	1,000	from 10 to 40 mm	0.55
GVL 600	600	1 ÷ 6	up to 7 m	1,000	from 10 to 40 mm	0.55
GVL 700	700	1 ÷ 6	up to 7 m	1,000	from 10 to 40 mm	0.55
GVL 800	800	1 ÷ 6	up to 7 m	1,000	from 10 to 40 mm	0.55
GVL 1000	1,000	1 ÷ 6	up to 7 m	1,000	from 10 to 40 mm	0.55
GVL 1200	1,200	1 ÷ 6	up to 7 m	1,000	from 10 to 40 mm	0.55

Benefits

- ✓ Precision laser-cut raking tines cut from single stainless steel bar
- ✓ Recessed guide channels for drive chains reducing chain exposure to screenings
- ✓ Lower chain guide without moving parts
- ✓ No lower sprocket, no bearings
- ✓ Reduced service requirements (no need to remove screen from channel)

Technical Features

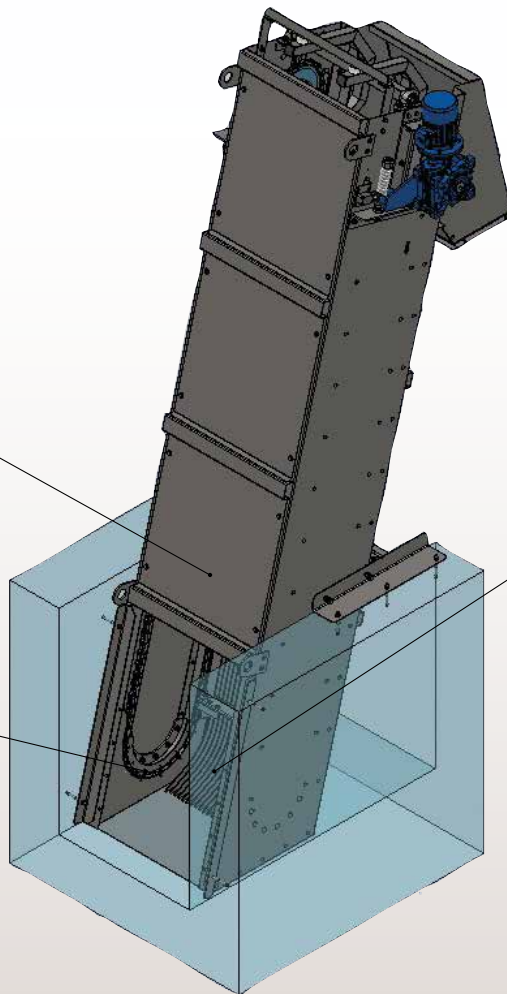
- 10mm ~ 40mm spacing
- 2 or more cleaning rakes ensuring quick, efficient solids removal
- Channel width: 400 ~ 1,200 mm
- 75-degree incline angle



Rake



Lower Chain Guide



Bar Field

Accessories

- Conductive level probe complete with bracket

Application



203001292 April 2018 Rights reserved to modify technical specifications.

This brochure has been edited for distribution in European Union countries



SAVECOTM
Member of WAMGROUP[®]



www.saveco-water.com